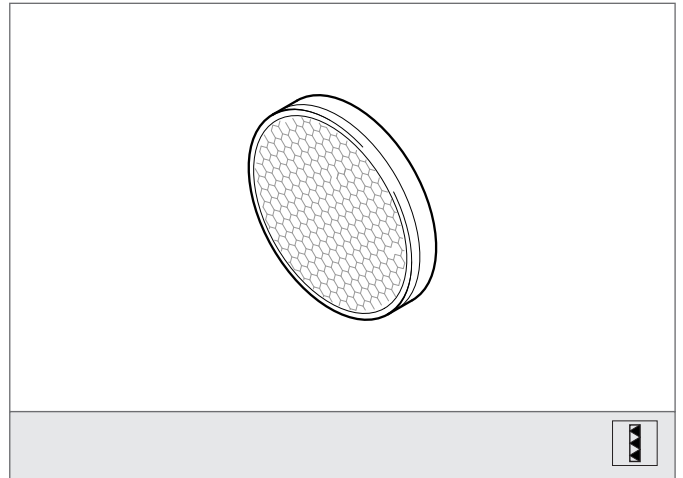


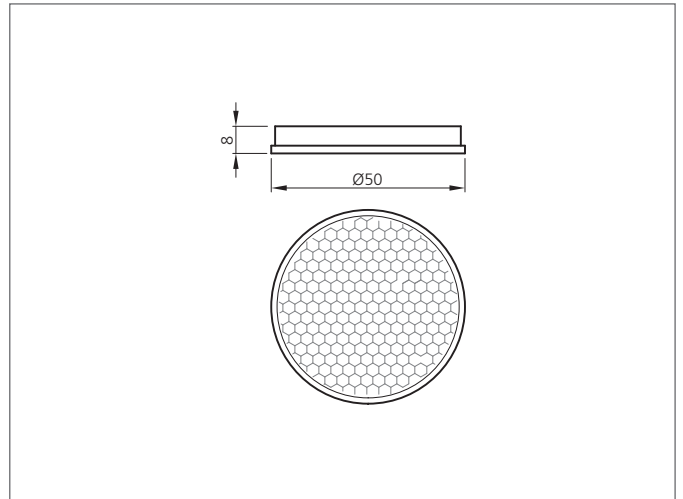
R 50 Reflector

- For infrared and red light
- Heat-resistant until 80 °C
- Adhesive
- Suitable for polarized light



Safety instructions

The Instruments are not to be used for safety applications, in particular applications in which safety of persons depends on proper operation of the instruments.
These instruments shall exclusively be used by qualified personnel.



TECHNICAL INFORMATION (typ.)		+20°C, 24V DC
Mounting		adhesive
Size		Ø 50 mm (Diameter)
Design		round
Emitted light		Infrared and red
Ambient temperature		-20 ... until 60 °C
Model		Reflector
Height		8 mm